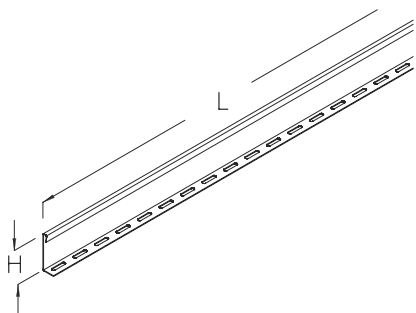


LTR 60

Cable ladder barrier strip, height=50 mm

This article is available made in material No. 1.4571/1.4404 (V4A) stainless steel finish.



Continuously hot galvanized (Sendzimir process) (DIN EN 10346)

Product	H	L	G
LTR 60S	50 mm	3000 mm	2,05 kg
Incl.:			
3x FKS 6X10 3x AM11 M6F	Slotted cylinder head screw, DIN 84 Channel nut		

Hot-dip galvanized, according to BS 729 (DIN EN ISO 1461)

Product	H	L	G
LTR 60F	50 mm	3000 mm	2,25 kg
Incl.:			
3x FKS 6X10E 3x AM11 M6F	Slotted cylinder head screw, DIN 84 Channel nut		

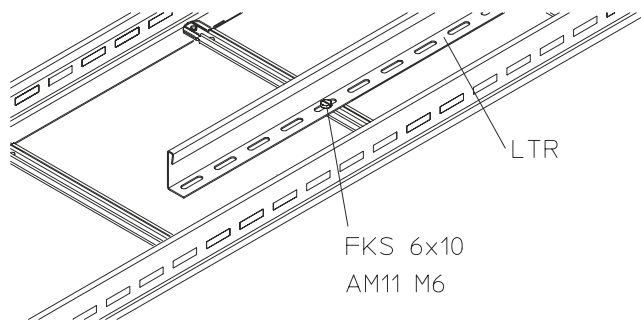
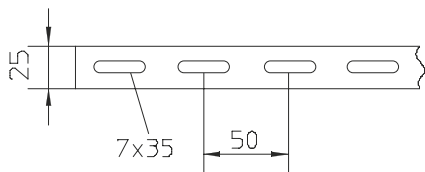
Stainless steel, according to ASTM 304 / BS 304 S 3

Product	H	L	G
LTR 60E	50 mm	3000 mm	2,06 kg
Incl.:			
3x FKS 6X10E 3x AM11 M6E4	Slotted cylinder head screw, DIN 84 Channel nut		



H : Height
L : Length
G : Weight

DETAILS / APPLICATIONS



System E30 - E90. CNBOP-PIB nr CNBOP-PIB-KOT-2017/0013-3703

