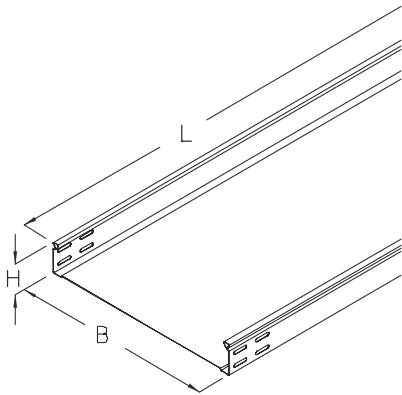


RS 60

Cable tray, heavy, not perforated, height=60 mm



Cable tray, heavy, not perforated, head shape suitable for positive locking covers, with longitudinal and lateral reinforcing rims reducing bottom deflection, certified including electrical conductivity according to DIN EN 61537. Side and bottom connectors are provided for assembly.



Continuously hot galvanized (Sendzimir process) (DIN EN 10346)

Product	H	B	L	A	Q _{sk}	t	G
RS 60-05S	60 mm	50 mm	3000 mm	30 cm ²	0,04 kN/m	1,50 mm	6,80 kg
RS 60-10S	60 mm	100 mm	3000 mm	56 cm ²	0,09 kN/m	1,50 mm	8,60 kg
RS 60-20S	60 mm	200 mm	3000 mm	113 cm ²	0,17 kN/m	1,50 mm	12,20 kg
RS 60-30S	60 mm	300 mm	3000 mm	171 cm ²	0,26 kN/m	1,50 mm	15,80 kg
RS 60-40S	60 mm	400 mm	3000 mm	228 cm ²	0,34 kN/m	1,50 mm	19,40 kg
RS 60-50S	60 mm	500 mm	3000 mm	286 cm ²	0,43 kN/m	1,50 mm	23,70 kg
RS 60-60S	60 mm	600 mm	3000 mm	343 cm ²	0,52 kN/m	1,50 mm	27,30 kg

Hot-dip galvanized, according to BS 729 (DIN EN ISO 1461)

Product	H	B	L	A	Q _{sk}	t	G
RS 60-05F	60 mm	50 mm	3000 mm	30 cm ²	0,04 kN/m	1,50 mm	7,60 kg
RS 60-10F	60 mm	100 mm	3000 mm	56 cm ²	0,09 kN/m	1,50 mm	9,60 kg
RS 60-20F	60 mm	200 mm	3000 mm	113 cm ²	0,17 kN/m	1,50 mm	13,60 kg
RS 60-30F	60 mm	300 mm	3000 mm	171 cm ²	0,26 kN/m	1,50 mm	17,70 kg
RS 60-40F	60 mm	400 mm	3000 mm	228 cm ²	0,34 kN/m	1,50 mm	21,70 kg
RS 60-50F	60 mm	500 mm	3000 mm	286 cm ²	0,43 kN/m	1,50 mm	26,50 kg
RS 60-60F	60 mm	600 mm	3000 mm	343 cm ²	0,52 kN/m	1,50 mm	30,60 kg





Stainless steel, according to ASTM 304 / BS 304 S 3

Product	H	B	L	A	Q_{sk}	t	G
RS 60-05E	60 mm	50 mm	3000 mm	30 cm ²	0,04 kN/m	1,50 mm	6,80 kg
RS 60-10E	60 mm	100 mm	3000 mm	56 cm ²	0,09 kN/m	1,50 mm	8,60 kg
RS 60-20E	60 mm	200 mm	3000 mm	113 cm ²	0,17 kN/m	1,50 mm	12,20 kg
RS 60-30E	60 mm	300 mm	3000 mm	171 cm ²	0,26 kN/m	1,50 mm	15,80 kg
RS 60-40E	60 mm	400 mm	3000 mm	228 cm ²	0,34 kN/m	1,50 mm	19,40 kg
RS 60-50E	60 mm	500 mm	3000 mm	286 cm ²	0,43 kN/m	1,50 mm	23,70 kg
RS 60-60E	60 mm	600 mm	3000 mm	343 cm ²	0,52 kN/m	1,50 mm	27,30 kg

Stainless steel, material no. 1.4571 (ANSI 316 Ti) / 1.4404 (ANSI 316 L)

Product	H	B	L	A	Q_{sk}	t	G
RS 60-05E4	60 mm	50 mm	3000 mm	30 cm ²	0,04 kN/m	1,50 mm	6,80 kg
RS 60-10E4	60 mm	100 mm	3000 mm	56 cm ²	0,09 kN/m	1,50 mm	8,60 kg
RS 60-20E4	60 mm	200 mm	3000 mm	113 cm ²	0,17 kN/m	1,50 mm	12,20 kg
RS 60-30E4	60 mm	300 mm	3000 mm	171 cm ²	0,26 kN/m	1,50 mm	15,80 kg
RS 60-40E4	60 mm	400 mm	3000 mm	228 cm ²	0,34 kN/m	1,50 mm	19,40 kg
RS 60-50E4	60 mm	500 mm	3000 mm	286 cm ²	0,43 kN/m	1,50 mm	23,70 kg
RS 60-60E4	60 mm	600 mm	3000 mm	343 cm ²	0,52 kN/m	1,50 mm	27,30 kg

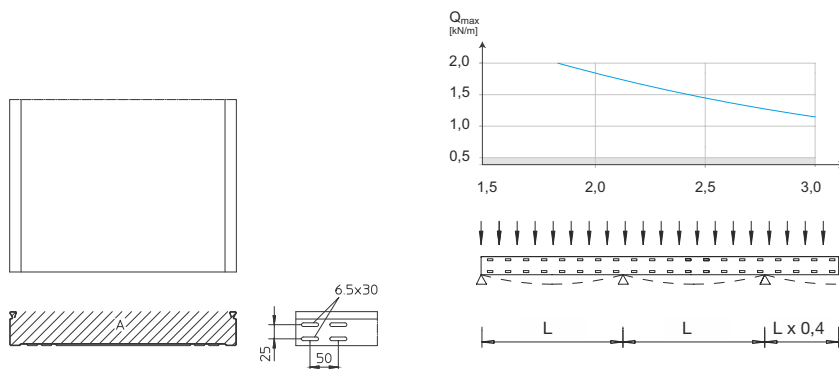
Coating Magnelis[®] according to DIN EN 10346

Product	H	B	L	A	Q_{sk}	t	G
RS 60-05ZM	60 mm	50 mm	3000 mm	30 cm ²	0,04 kN/m	1,50 mm	6,80 kg
RS 60-10ZM	60 mm	100 mm	3000 mm	56 cm ²	0,09 kN/m	1,50 mm	8,60 kg
RS 60-20ZM	60 mm	200 mm	3000 mm	113 cm ²	0,17 kN/m	1,50 mm	12,20 kg
RS 60-30ZM	60 mm	300 mm	3000 mm	171 cm ²	0,26 kN/m	1,50 mm	15,80 kg
RS 60-40ZM	60 mm	400 mm	3000 mm	228 cm ²	0,34 kN/m	1,50 mm	19,40 kg
RS 60-50ZM	60 mm	500 mm	3000 mm	286 cm ²	0,43 kN/m	1,50 mm	23,70 kg
RS 60-60ZM	60 mm	600 mm	3000 mm	343 cm ²	0,52 kN/m	1,50 mm	27,30 kg



- H** : Height
- B** : Width
- L** : Length
- t** : Material thickness
- A** : Cross section area
- Q_{SK}** : Distributed load control cable
- G** : Weight

DETAILS / APPLICATIONS



OPTIONAL ACCESSORIES

RB 60, RB45 60, RAE 60, RAA 60, RA 60, RK 60, RVB 60, RR 60, RAB 60, REB, RGV 60, RGVS, VB, RTR 60, KLR

